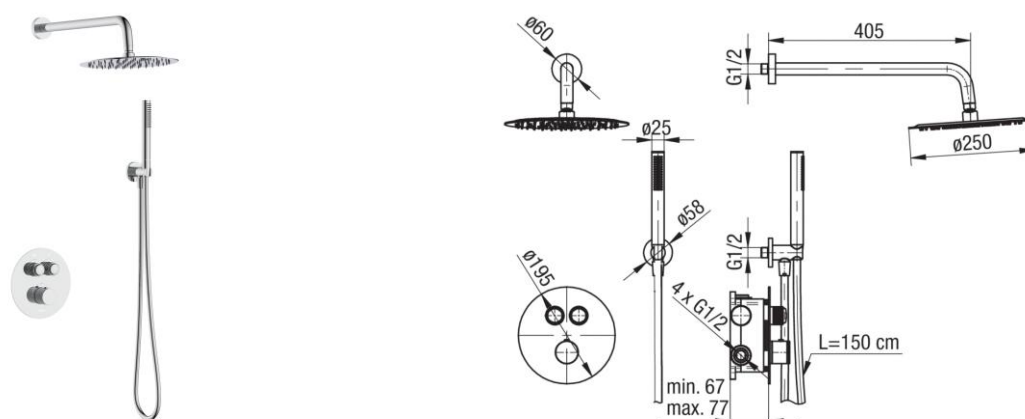


Series Cannoli

Concealed thermostatic set



Code	Flow class	EAN13
2424990-CHR	S/S	5902273585725

Product usage:

For use in with cold and hot water systems in buildings

Type:

Shower sets

Guarantee:

25-year

Technical data/Operating parameters:

Max pressure: 1,0 MPa,
Max temperature: 70°C

Used materials:

- shower head $\varnothing 250\text{mm}$
- spray arm 405mm
- concealed thermostatic tap
- water inlet angle valve
- 1-function shower hand
- shower hose

Finish:

chrome