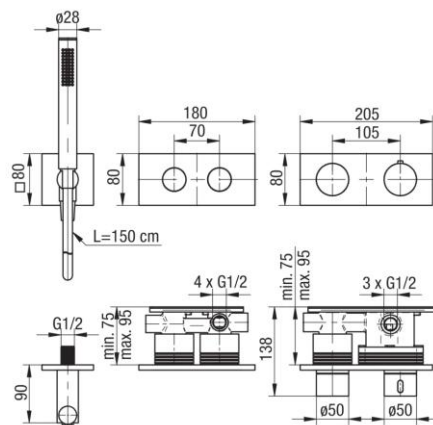
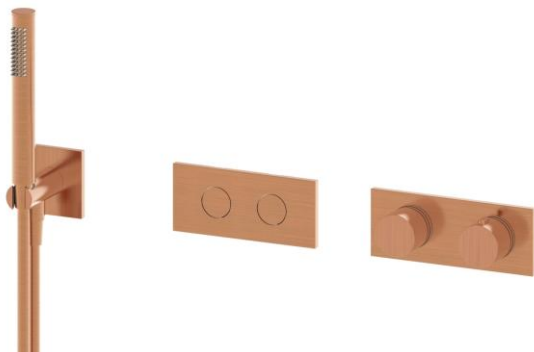


Series Cannoli Satin Copper

2-function concealed thermostatic set



Code	Flow class	EAN13
2424960-SCPV	S/A	5902273585534

Product usage:

For use in with cold and hot water systems in buildings

Type:

Shower sets

Guarantee:

25-year

Technical data/Operating parameters:

Max pressure: 1,0 MPa,
Max temperature: 70°C

Used materials:

brass

Finish:

satin copper PVD