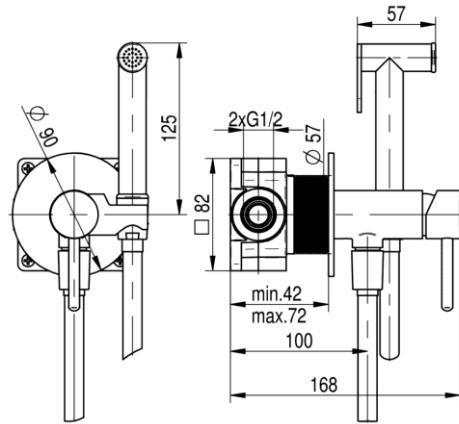


Series Cannoli Black

Concealed bidet mixer



Code	Cartridge	Flow class	Connection	EAN13
2424910-MBK	cartridge $\Phi 25$	Z	G1/2	5902273585183

Product usage:

For use in with cold and hot water systems in buildings

Type:

Bidet mixers

Technical data/Operating parameters:

Recommended working pressure: 0,1-0,5 MPa,
Max temperature: 70°C

Guarantee:

25-year

Used materials:

brass

Finish:

matt black