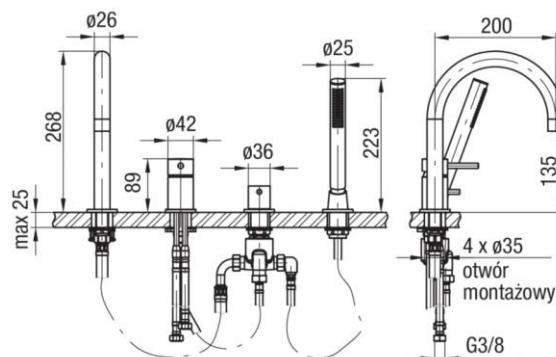


Series Cannoli

4-hole bath mixer with accessories



Code	Cartridge	Flow class	Hoses	EAN13
2424880-CHR	cartridge $\Phi 35$	B/S	G3/8	5902273585039

Product usage:

For use in with cold and hot water systems in buildings

Type:

Bath mixers

Guarantee:

25-year

Technical data/Operating parameters:

Recommended working pressure: 0,1-0,5 MPa,
Max temperature: 70°C

Used materials:

brass

Finish:

chrome