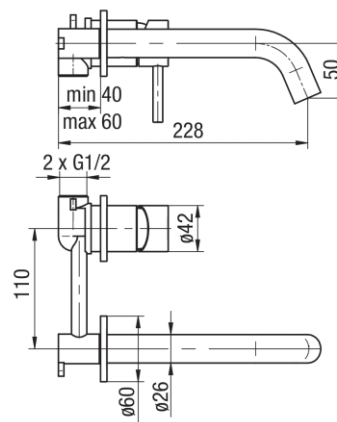


Series Cannoli Brushed Gold

Concealed wall-mounted basin mixer with spout



Code	Cartridge	Flow class	Connection	EAN13
2424840-BAPV	cartridge Φ 35	Z	G1/2	5902273584650

Product usage:

For use in with cold and hot water systems in buildings

Type:

Washbasin mixers

Guarantee:

25-year

Technical data/Operating parameters:Recommended working pressure: 0,1-0,5 MPa,
Max temperature: 70°C**Used materials:**

brass

Finish:

brushed gold PVD