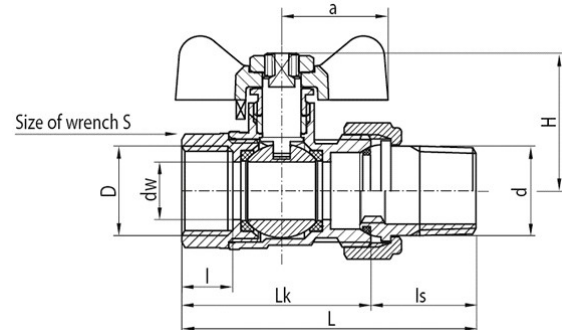


Ball valves ONYX

Full-port ball valve with nut on stem, with tail piece and aluminium butterfly handle



DN	Code	Dimensions											EAN13
		Size	D	l	dw	L	Lk	d	a	H	S	S1	
15	1452440	1/2"	G1/2	12	13,5	69	44,5	R1/2	25	36,5	25	30	5907451933176
20	1453440	3/4"	G3/4	12	18,5	77,5	55	R3/4	25	40	31	37	5907451933244
25	1454440	1"	G1	14,5	23,5	88,5	58,5	R1	32,5	50	38	46	5907451933312
32	1455440	1 1/4"	G1 1/4	15	30	103	72	R1 1/4	75	60	48	53	5902273570134

Product usage:

Used as shut-off fittings in cold and hot water systems, in central heating and cooling systems (including solar systems) where the working medium is water or water / glycol solution (up to 50%), in compressed air installations

Type:

Straight ball valves

Technical data/Operating parameters:

Max pressure:
 DN15 - DN25: 4 MPa
 DN32: 3 MPa
 Max temperature:
 DN15 - DN25: 180°C
 DN32: 150°C

Guarantee:

25-year

Used materials:

body, nut, ball, stem, union nut, union end piece, adjustable stem nut: brass;
 ball and stem seal: PTFE (teflon);
 butterfly handle: aluminium alloy

Finish:

body, nut: nickel; ball: chrome