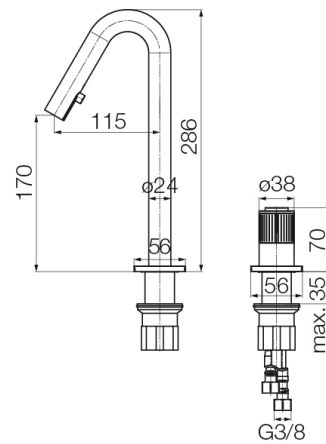


Series Enko

2-hole standing kitchen mixer



Code	Cartridge	Flow class	Hoses	EAN13
2417180-CHR	cartridge Φ 30	Z	G3/8	5902273574583

Product usage:

For use in with cold and hot water systems in buildings

Type:

Kitchen mixer

Guarantee:

25-year

Technical data/Operating parameters:

Recommended working pressure: 0,1-0,5 MPa,
Max temperature: 90°C

Used materials:

brass

Finish:

chrome