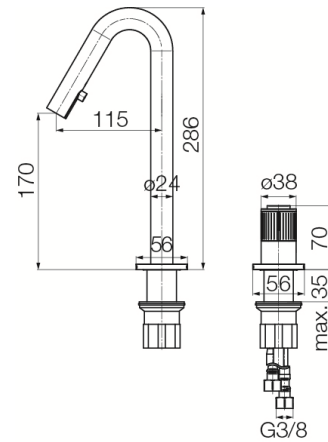


Series Enko Brushed Gold

2-hole Lavatory Mixer



Code	Cartridge	Flow class	Hoses	EAN13
2417620	cartridge Φ 30	Z	G3/8	5902273573319

Product usage:

For use in with cold and hot water systems in buildings

Type:

Washbasin mixers

Guarantee:

25-year

Technical data/Operating parameters:

Recommended working pressure: 0,1-0,5 MPa,
Maximum temperature: 90°C

Used materials:

brass

Finish:

brushed gold PVD