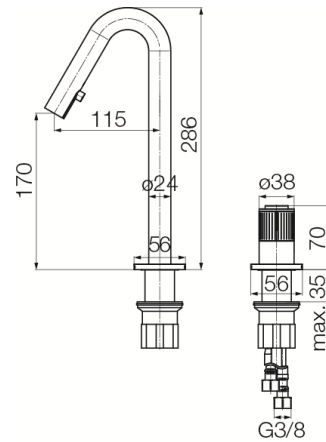


## Series Enko

## 2-hole Lavatory Mixer



Code	Cartridge	Flow class	Hoses	EAN13
2417600	cartridge $\Phi$ 30	Z	G3/8	5902273573296

**Product usage:**

For use in with cold and hot water systems in buildings

**Type:**

Washbasin mixers

**Guarantee:**

25-year

**Technical data/Operating parameters:**

Recommended working pressure: 0,1-0,5 MPa,  
Maximum temperature: 90°C

**Used materials:**

brass

**Finish:**

chrome