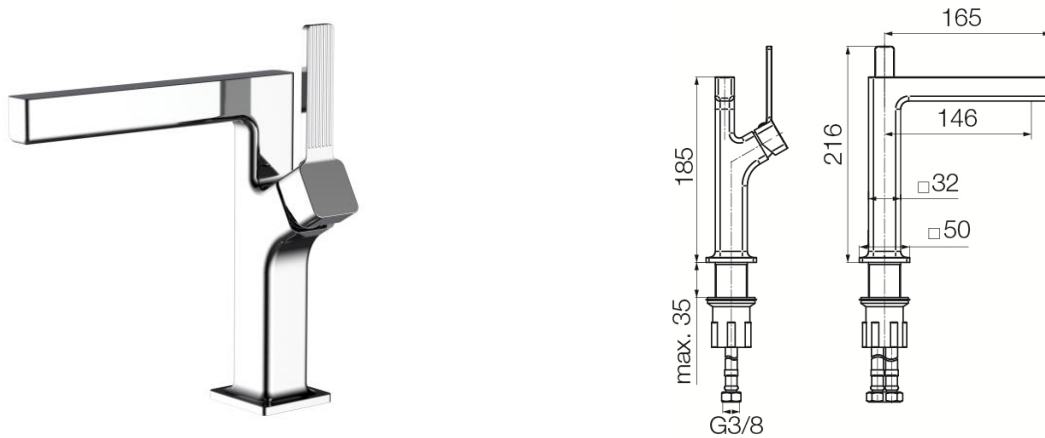


Series Alibi

Washbasin mixer without pop-up drain



Code	Cartridge	Flow class	Hoses	EAN13
2417550	cartridge Φ 26	A	G3/8	5902273573388

Product usage:

For use in with cold and hot water systems in buildings

Type:

Washbasin mixers

Technical data/Operating parameters:Recommended working pressure: 0,1-0,5 MPa,
Maximum temperature: 90°C**Guarantee:**

25-year

Used materials:

brass

Finish:

chrome