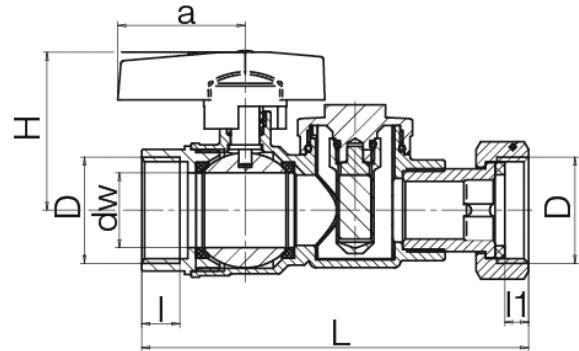


## Ball valves SPIN

Full-port ball valve with nut on stem, aluminium butterfly handle, rotary nut, magnet and filter (female-female version)



DN	Code	Dimensions								EAN13
		Size	D	dw	L	l	l1	H	a	
20	1473970	G3/4-G3/4	G3/4	23,5	112	11	8	45	40	5902273563907
25	1474970	G1-G1	G1	23,5	122	12	8	50	40	5902273563914

Code	Kv (m3/h)	Magnet power (Gs)	The mesh size of the filter mesh (µm)
1473970	4,49	6400	800
1474970	8,31	6400	800

### Product usage:

As shut-off valves in the water supply systems for hot and cold water as well as heating (including solar) and cooling systems, where the working medium is water or water-glycol solution (up to 50%)

### Type:

Straight ball valves with filter

### Guarantee:

25-year

### Technical data/Operating parameters:

Max pressure: 2,5 MPa,

Max temperature: 95°C

Min temperature: 0°C

### Used materials:

Body, nut, ball, stem, gland, plug, magnet cover: brass;

ball seal and stem seal: PTFE;

butterfly handle: aluminium alloy;

pressboard gasket;

inlay: steel mesh;

plug and magnet housing seal: EPDM;

magnet: N40M

### Finish:

Body, nut, plug: nickel; ball, magnet cover: chrome