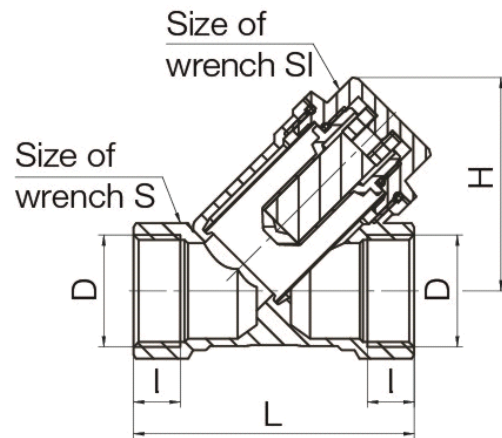


## Skew filters with magnetic insert PIZA-M

Skew water filter with magnetic insert



DN	Code	Dimensions							EAN13
		Size	D	L	I	H	S	S1	
15	4990400	1/2"	G1/2	55	12	40	25	20	5902273563631
20	4990410	3/4"	G3/4	66	12	50	30	23	5902273563648
25	4990420	1"	G1	74	12	52	37	23	5902273563655
32	4990430	1 1/4"	G1 1/4	94,5	14	63	48	32	5902273563662

Code	Kv (m3/h)	Magnet power (Gs)
4990400	3,17	6400
4990410	5,75	6400
4990420	8,16	6400
4990430	14,05	7200

### Product usage:

Water installations, central heating, solar and air-conditioning systems

### Type:

Filters

### Guarantee:

25-year

### Technical data/Operating parameters:

Max pressure: 2,5 MPa (for 80°C)

Max temperature: 110°C (for 1,0 MPa)

Min temperature: 0°C

### Used materials:

Body, plug, magnet cover: brass;

inlay: steel mesh;

plug and magnet housing seal: EPDM;

magnet: N40M

### Finish:

Body, plug: brass;

magnet cover: chrome