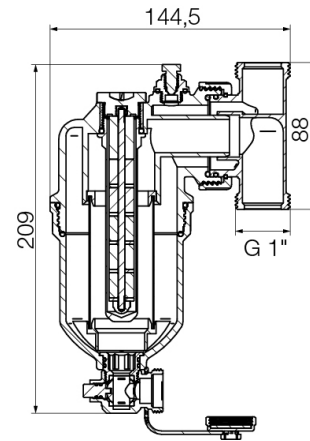


## V-Pure Magnetic Dirt Separator



Code	Dimensions	EAN13
6096980	GZ 1"	5902273564805

Code	Kv (m <sup>3</sup> /h)	Magnet power (Gs)	The mesh size of the filter mesh (µm)
6096980	5,02	11000	800

### Product usage:

Central heating, solar and air-conditioning systems

### Type:

Dirt separators

### Technical data/Operating parameters:

Max pressure: 0,5 MPa (for 65°C)  
 Max temperature: 90°C (for 0,4 MPa)  
 Min temperature: 0°C (for 0,5 MPa)

### Guarantee:

25-year

### Used materials:

Connection flange, drain valve, magnet cover, vent valve: brass;  
 body, separator bowl: plastic;  
 inlay: steel mesh;  
 sealing gasket for separator bowl: EPDM;  
 magnet: N40M

### Finish:

Connection flange, air vent, drain valve: nickel