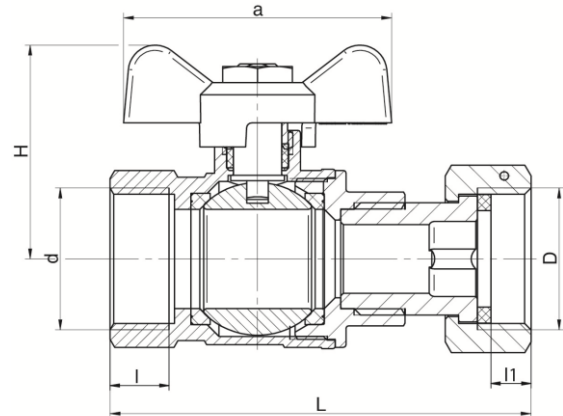


Ball valves SPIN

Full-port ball valve with nut on stem, aluminium butterfly handle and rotary nut (female-female version)



DN	Code	Dimensions								EAN13
		Size	D	d	L	l	l1	H	a	
15	1472920	G1/2-G1/2	G1/2	G1/2	65,5	10	6	37	50	5902273534778
15	1472960	G1/2-G3/4	G3/4	G1/2	71	10	7,5	37	50	5902273534730
20	1473920	G3/4-G3/4	G3/4	G3/4	78,5	11	7,5	40	50	5902273543824
20	1473960	G3/4-G1	G1	G3/4	79,5	11	7,5	40	50	5902273534754
25	1474920	G1-G1	G1	G1	89,5	12	7,5	46	65	5902273556763
25	1474960	G1-G1 1/4	G1 1/4	G1	94,5	12	9	46	65	5902273556770

Product usage:

As shut-off valves in the water supply systems for hot and cold water as well as heating (including solar) systems, where the working medium is water or water-glycol solution (up to 50%)

DN25 - additionally in cooling systems

Type:

Straight ball valves

Technical data/Operating parameters:

DN15-DN25:

Max pressure: 2,5 MPa

DN15-DN20:

Max temperature: 95°C

DN25:

Max temperature: 95°C

Min temperature: 0°C

Guarantee:

25-year

Used materials:

body, nut, ball, stem, adjustable stem nut: brass;

ball and stem seal: PTFE (teflon);

butterfly handle: aluminium alloy

gasket: fibre

Finish:

body, nut: nickel; ball: chrome