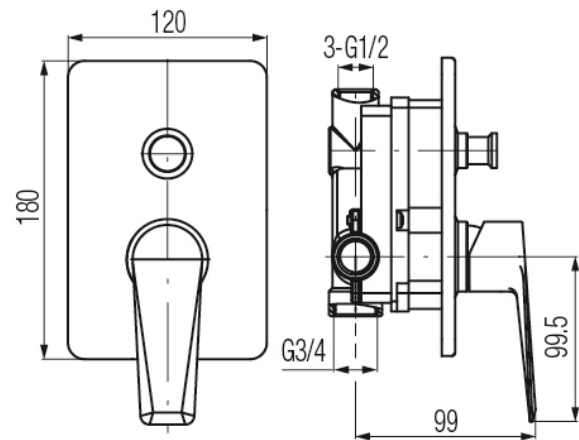


**Series Esto**

Concealed bathtub and shower mixer tap



| Code    | Cartridge               | Flow class | Connection | EAN13         |
|---------|-------------------------|------------|------------|---------------|
| 2414250 | cartridge $\Phi$ 35 low | B/B        | G1/2xG3/4  | 5902273553526 |

**Product usage:**

For use in with cold and hot water systems in buildings

**Type:**

Shower mixers

**Guarantee:**

25-year

**Technical data/Operating parameters:**Recommended working pressure: 0,1-0,5 MPa,  
Max temperature: 90°C**Used materials:**

brass

**Finish:**

chrome