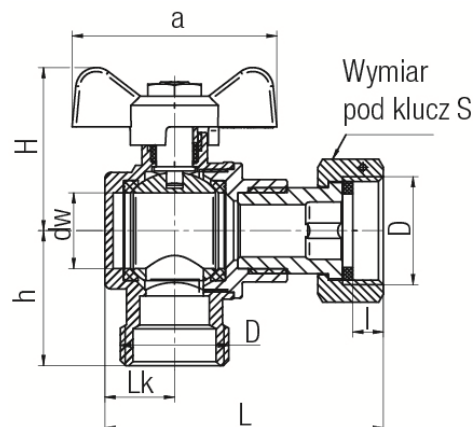


**Ball valves SPIN**

Full-port angle ball valve with nut on stem, aluminium butterfly handle and rotary nut (female-male version)



DN	Code	Dimensions										EAN13
		Size	D	I	dw	L	Lk	a	H	h	S	
15	1472930	G1/2-G1/2	G1/2	6	13,5	49,5	14	50	37	29	25	5902273545606
20	1473930	G3/4-G3/4	G3/4	7,5	18,5	68	17	50	40	33	31	5902273545613

**Product usage:**

In the water supply systems for hot and cold water, heating systems, systems with glycol water solution as shut-off valves to open and close the flow.

**Type:**

Angle ball valves

**Guarantee:**

25-year

**Technical data/Operating parameters:**

Max pressure: 2,5 MPa,

Max temperature: 95°C

**Used materials:**

body, nut, ball, stem, adjustable stem nut: brass;

ball and stem seal: PTFE (teflon);

lever: carbon steel with plastic coating

gasket: fibre

**Finish:**

body, nut: nickel; ball: chrome