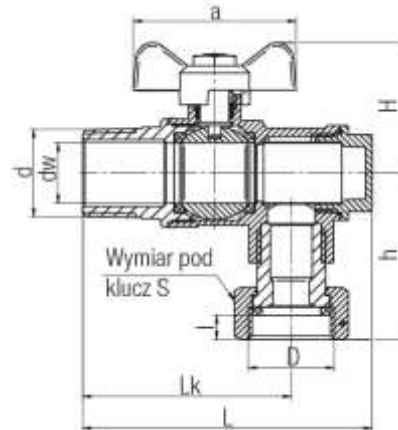


## Ball valves SPIN

Full-port angle ball valve with nut on stem, aluminium butterfly handle, rotary nut and with filter (female-male version)



DN	Code	Dimensions											EAN13
		Size	D	I	dw	L	Lk	d	a	H	h	S	
15	1472780	R1/2-G1/2	G1/2	6	13,5	76	56	R1/2	50	37	49,5	25	5902273552765
20	1473780	R3/4-G3/4	G3/4	7,5	18,5	89	64	R3/4	50	40	51	31	5902273552772

### Product usage:

In the water supply systems for hot and cold water, heating systems, systems with glycol water solution as shut-off valves to open and close the flow.

### Type:

Angle ball valves with filter

### Guarantee:

25-year

### Technical data/Operating parameters:

Max pressure: 2,5 MPa,

Max temperature: 95°C

### Used materials:

body, nut, ball, stem, adjustable stem nut: brass;

ball and stem seal: PTFE (teflon);

lever: carbon steel with plastic coating

gasket: fibre,

filter insert: stainless steel

### Finish:

body, nut: nickel; ball: chrome