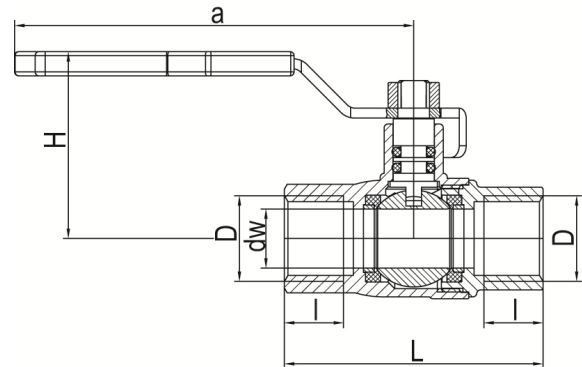


## Gas ball valves 4TECH

Gas ball valve with steel lever (female-female version)



DN	Code	Dimensions								EAN13
		Size	D	l	dw	L	a	H	S	
15	3402600	1/2"	Rp1/2	15	15	65,6	101,2	47,3	26	5907451962640
20	3403600	3/4"	Rp3/4	16,3	20	72,6	101,2	51,3	31	5907451962657
25	3404600	1"	Rp1	19,1	25	87	121,2	60,8	39	5907451962664

### Product usage:

For use in gas installations in buildings

### Type:

Gas ball valves

### Guarantee:

25-year

### Technical data/Operating parameters:

MOP 5-20, T2 (od -20°C do +60°C)

Max pressure: 2,0 Mpa

### Used materials:

body, nut, ball, stem: brass;

ball seal: PTFE (teflon);

stem seal: O-ring seal, rubber NBR;

lever: carbon steel with plastic coating

### Finish:

body, nut: nickel; ball: chrome