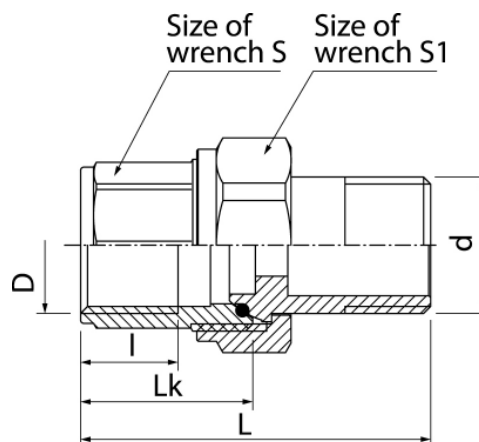


Connectors TWIST

Straight nickel plated, connector (long version), tail piece



DN	Code	Dimensions								EAN13
		Size	D	d	L	Lk	l	S	S1	
15	4912040	1/2"	Rp1/2	R1/2	54	26	12	24	30	5907451904503
20	4913040	3/4"	Rp3/4	R3/4	60	28	14	30	37	5907451905487

Product usage:

In the piping systems of cold and hot water and central heating for connecting pipes with each other or with any other part of the installation

Type:

Fittings

Technical data/Operating parameters:

Max pressure: 1,0 MPa,
Max temperature: 100°C

Guarantee:

25-year

Used materials:

body, nut, connector end piece: brass;
sealing: O-ring seal.

Finish:

body, nut, connector
end piece: nickel