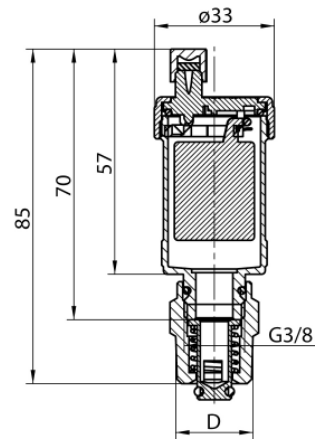


Purging valves ALFA

Automatic purging valve with cut-off valve, shot blasted



| Code | D | EAN13 |
|---------|------|---------------|
| 4700360 | 1/2" | 5907451907962 |
| 4700160 | 3/8" | 5907451973646 |

Product usage:

For use in heating installations, where the heating medium is water or water-glycol solutions

Type:

Purging valves

Technical data/Operating parameters:

Max pressure: 1,0 MPa,
Max temperature: 110°C

Guarantee:

25-year

Used materials:

body, nut, cut-off valve body, plunger: brass;
nozzle, float, plate, plug: polyacetal (POM);
flat spring: steel;
sealing: EPDM rubber

Finish:

body, nut, cut-off valve
body: brass