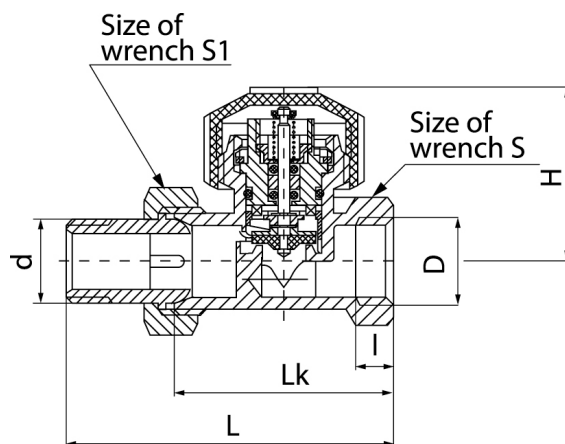


**Thermostatic valves VECTOR**

Straight nickel plated thermostatic valve ZT22 with movable diaphragm (with pre-setting)



DN	Code	Colour	Dimensions									EAN13
			Size	D	d	L	Lk	I	H	S	S1	
FP 10	4411010	nikiel / nikel	3/8"	Rp3/8	R3/8	75	50	9	41,5	22	27	5907451900666
FP 15	4412010	nikiel / nikel	1/2"	Rp1/2	R1/2	82	55	10	41,5	27	30	5907451900673
FP 20	4413010	nikiel / nikel	3/4"	Rp3/4	R3/4	98	65	12	43	32	37	5907451900680
FP 15	4412090	biały / white	1/2"	Rp1/2	R1/2	82	55	10	41,5	27	30	5907451964316

**Product usage:**

For use in central heating installations

**Type:**

Thermostatic valves

**Guarantee:**

25-year

**Technical data/Operating parameters:**

Max pressure: 1,0 MPa,  
Max temperature: 120°C

**Used materials:**

body, screw, coupling nut, coupling end piece, disc seat, distance, screw, bushing, spring cover: brass;  
pin, cover plate, spring: steel;  
disc, sensor, pin and coupling end piece  
sealing: EPDM rubber;  
cap: tarnamide

**Finish:**

body, coupling nut, coupling end piece: nickel (white version - powder-coated)