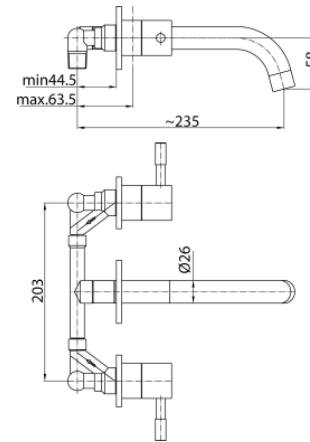


Series Vegane

Wall mounted, three-hole washbasin mixer



Code	Cartridge	Flow class	Connection	EAN13
2422810	ceramic head	A	G1/2	5907451937068

Product usage:

For use in with cold and hot water systems in buildings

Type:

Washbasin mixers

Guarantee:

25-year

Technical data/Operating parameters:Recommended working pressure: 0,1-0,5 MPa,
Max temperature: 90°C**Used materials:**

brass

Finish:

chrome