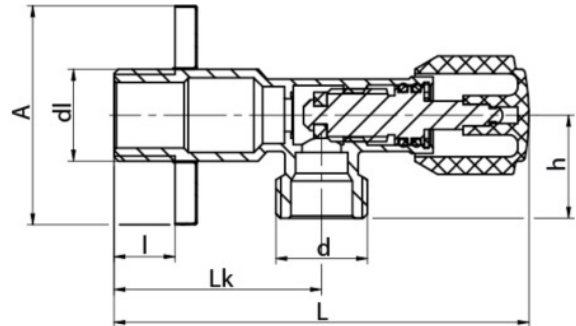


Angled valve PROFF

Chrome plated angle valve with slide head



Code	Dimensions								EAN13
	Size	A	L	l	Lk	d	d1	h	
1484100	1/2"-3/8"	50	95	14	47,5	G3/8	G1/2	23,5	5902273515890
1484110	1/2"-1/2"	50	95	14	47,5	G1/2	G1/2	23,5	5902273515920
1484120	1/2"-3/4"	50	95	14	47,5	G3/4	G1/2	23,5	5902273515913

Product usage:

For use in with cold and hot water systems in buildings

Type:

Angle valves with slide head

Guarantee:

25-year

Technical data/Operating parameters:

Max pressure: 1,0 MPa,
Max temperature: 100°C

Used materials:

body, head body, stem, disc: brass;
rosette: stainless steel;
valve disc seal: EPDM rubber;
slide head seal: O-ring seal;
handle: ABS

Finish:

body, handle: chrome