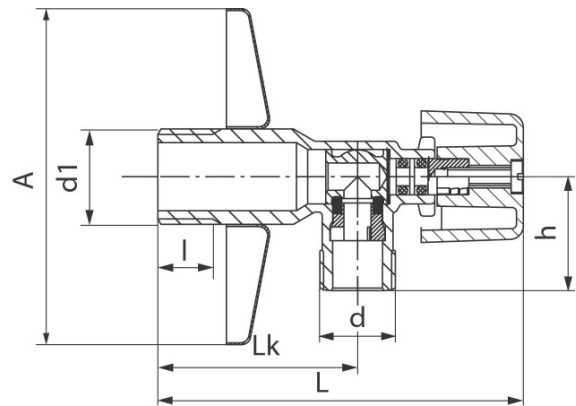


Ball valves EKO PLUS

Chrome plated angle valve



Code	Dimensions								EAN13
	Size	A	L	l	Lk	d	d1	h	
1482620	1/2"-G3/8"	55	81	12	44	G3/8	G1/2	25	5907451932377
1482630	1/2"-G1/2"	55	81	12	44	G1/2	G1/2	25	5907451932384
1482640	1/2"-G3/4"	55	81	12	44	G3/4	G1/2	28	5907451932391

Product usage:

In cold and hot water systems and central heating installations as shut off valves

Type:

Angle valves

Guarantee:

25-year

Technical data/Operating parameters:

Max pressure: 1,0 MPa,
Max temperature: 90°C

Used materials:

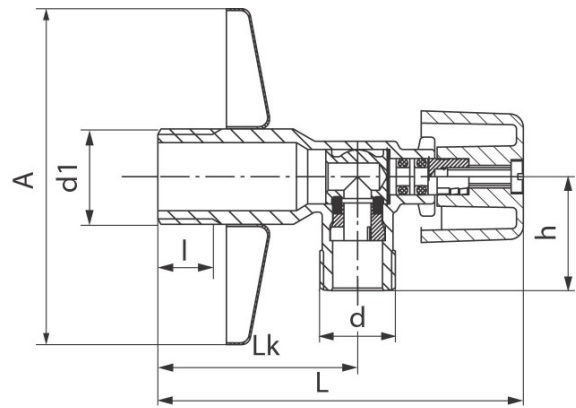
body, ball with stem: brass;
seal housing: polyacetal (POM);
rosette: stainless steel;
ball with stem and housing seal: rubber seal NBR;
metal handle

Finish:

body, handle: chrome

Ball valves EKO PLUS

Chrome plated angle valve



Code	Dimensions								EAN13
	Size	A	L	l	Lk	d	d1	h	
1482620	1/2"-G3/8"	55	81	12	44	G3/8	G1/2	25	5907451932377
1482630	1/2"-G1/2"	55	81	12	44	G1/2	G1/2	25	5907451932384
1482640	1/2"-G3/4"	55	81	12	44	G3/4	G1/2	28	5907451932391

Product usage:

In cold and hot water systems and central heating installations as shut off valves

Type:

Angle valves

Guarantee:

25-year

Technical data/Operating parameters:

Max pressure: 1,0 MPa,
Max temperature: 90°C

Used materials:

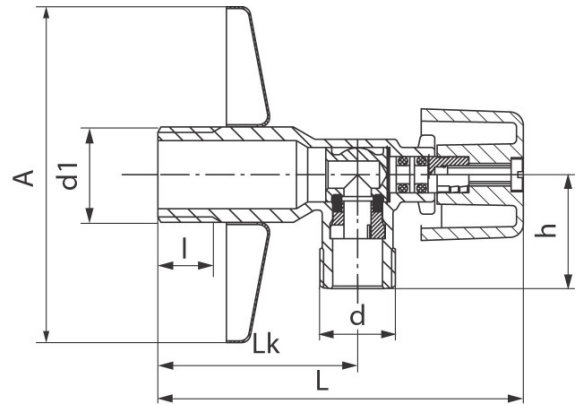
body, ball with stem: brass;
seal housing: polyacetal (POM);
rosette: stainless steel;
ball with stem and housing seal: rubber seal NBR;
metal handle

Finish:

body, handle: chrome

Ball valves EKO PLUS

Chrome plated angle valve



Code	Dimensions								EAN13
	Size	A	L	l	Lk	d	d1	h	
1482620	1/2"-G3/8"	55	81	12	44	G3/8	G1/2	25	5907451932377
1482630	1/2"-G1/2"	55	81	12	44	G1/2	G1/2	25	5907451932384
1482640	1/2"-G3/4"	55	81	12	44	G3/4	G1/2	28	5907451932391

Product usage:

In cold and hot water systems and central heating installations as shut off valves

Type:

Angle valves

Guarantee:

25-year

Technical data/Operating parameters:

Max pressure: 1,0 MPa,
Max temperature: 90°C

Used materials:

body, ball with stem: brass;
seal housing: polyacetal (POM);
rosette: stainless steel;
ball with stem and housing seal: rubber seal NBR;
metal handle

Finish:

body, handle: chrome