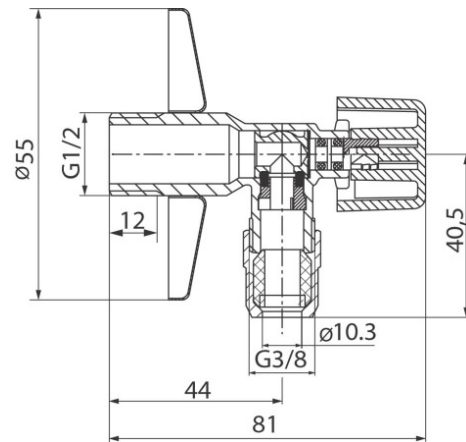


Ball valves EKO

Chrome plated angle valve with nut (for mixer connection)



Code	Dimensions	EAN13
1482170	1/2"-3/8"-M10	5907451907870

Product usage:

In cold and hot water systems and central heating installations as shut off valves

Type:

Angle valves

Guarantee:

25-year

Technical data/Operating parameters:

Max pressure: 1,0 MPa,
Max temperature: 90°C

Used materials:

body, ball with stem, nut, compression ring: brass;
seal housing: polyacetal (POM);
rosette: stainless steel;
ball with stem and housing seal: rubber seal NBR;
nut seal: EPDM rubber;
handle: ABS

Finish:

body, handle: chrome