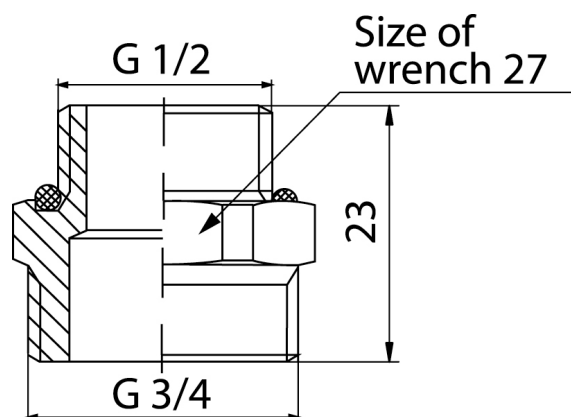


Couplings FUSION

Coupling G1/2-G3/4, nickel plated



Code	Dimensions	EAN13
1481790	1/2" / 3/4"	5907451927038

Product usage:

In the piping systems of cold and hot water and central heating for connecting pipes with each other or with any other part of the fitting

Type:

Fittings

Technical data/Operating parameters:

Max pressure: 1,0 MPa,
Max temperature: 95°C

Guarantee:

25-year

Used materials:

brass, with O-ring seal NBR.

Finish:

body: nickel