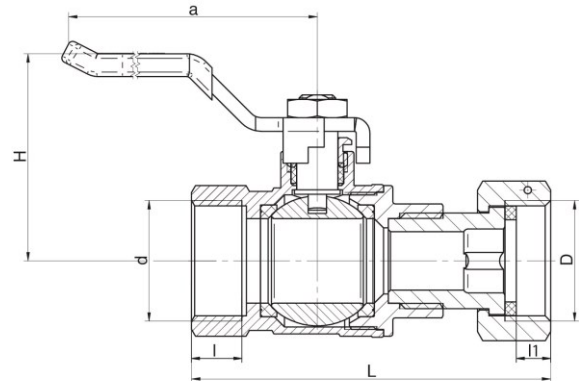


Ball valves SPIN

Full-port ball valve with nut on stem, steel handle and rotary nut (female-female version)



Code	Dimensions							EAN13
	Size	d	D	dw	L	a	H	
1472900	G1/2-G1/2	G1/2	G1/2	13,5	65,5	90	42	5902273534761
1472940	G1/2-G3/4	G1/2	G3/4	13,5	71	90	42	5902273534723
1473900	G3/4-G3/4	G3/4	G3/4	18,5	78,5	90	46	5902273543817
1473940	G3/4-G1	G3/4	G1	18,5	79,5	90	46	5902273534747

Product usage:

In the water supply systems for hot and cold water, heating systems, systems with glycol water solution as shut-off valves to open and close the flow.

Type:

Straight ball valves

Guarantee:

25-year

Technical data/Operating parameters:

Max pressure: 2,5 MPa,

Max temperature (at 1,0 MPa): 95°C

Used materials:

body, nut, ball, stem, adjustable stem nut: brass;

ball and stem seal: PTFE (teflon);

lever: carbon steel with plastic coating

gasket: fibre

Finish:

body, nut: nickel; ball: chrome