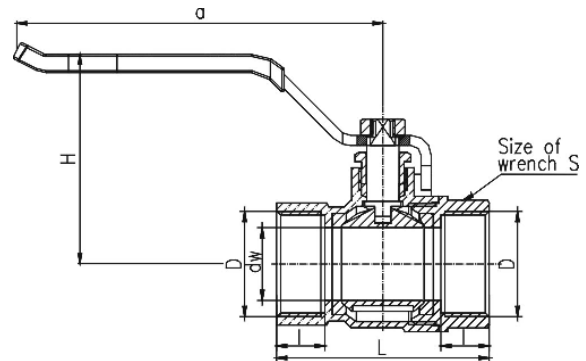


## Ball valves ORO

Ball valve with nut on stem and steel lever (female-female version)



DN	Code	Dimensions								EAN13
		Size	D	l	dw	L	a	H	S	
15	1472600	1/2"	G1/2	11	13,5	45	90	49	24	5907451964637
20	1473600	3/4"	G3/4	12	18	53	90	52	30	5907451964644
25	1474600	1"	G1	14	22	62	110	59	37	5907451964651
32	1475600	1 1/4"	G1 1/4	15	27	71	110	65	46	5907451964668
40	1476600	1 1/2"	G1 1/2	16	34	81	140	78	52	5907451964675
50	1477600	2"	G2	21	43	101	140	85	68	5907451964682

### Product usage:

In the water supply systems for hot and cold water, heating systems, systems with glycol water solution as shut-off valves to open and close the flow.

### Type:

Straight ball valves

### Technical data/Operating parameters:

Max pressure: 1,6 MPa,  
Max temperature: 120°C

### Guarantee:

25-year

### Used materials:

body, nut, ball, stem, adjustable stem nut: brass;  
ball and stem seal: PTFE (teflon);  
lever: carbon steel with plastic coating

### Finish:

body, nut: nickel; ball: chrome