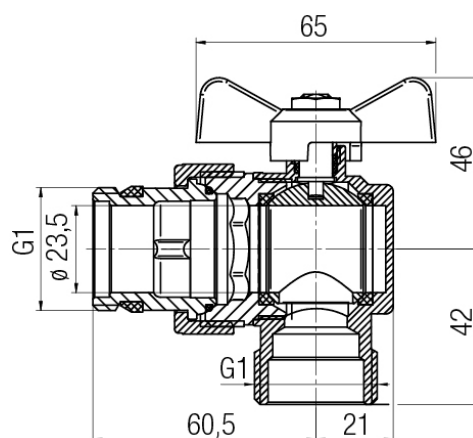


Accessories for manifolds C.O.

Angle ball valve for water with tail piece, ONYX BASE DN25-PN10-MAI



Code	Dimensions	EAN13
1454120	1"	5902273550105

Product usage:

In cold and hot water systems and central heating systems as shut off valves

Type:

Accessories and spare parts

Guarantee:

25-year

Technical data/Operating parameters:

Max pressure: 1,0 MPa,

Max temperature: 95°C

Used materials:

body, nut, ball, stem, union nut, union end piece,

adjustable stem nut: brass;

ball and stem seal: PTFE (teflon);

butterfly handle: aluminium alloy

Finish:

body, nut: nickel; ball: chrome