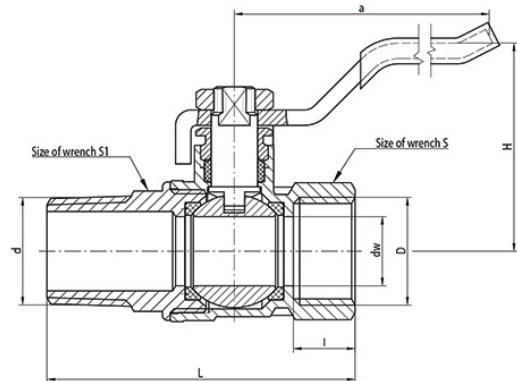


Ball valves ONYX

Full-port ball valve with nut on stem and steel lever (female-male version)



DN	Code	Dimensions										EAN13
		Size	D	l	dw	L	d	a	H	S	S1	
10	1451460	3/8"	G3/8	10	10	50,5	R3/8	90	40	21	18	5907451978061
15	1452460	1/2"	G1/2	12	13,5	60	R1/2	90	42	25	22	5907451933183
20	1453460	3/4"	G3/4	12	18,5	68	R3/4	90	46	31	28	5907451933251
25	1454460	1"	G1	14,5	23,5	79	R1	110	50	38	35	5907451933329
32	1455460	1 1/4"	G1 1/4	15	30	93	R1 1/4	115,5	65	48	44	5907451984499
40	1456460	1 1/2"	G1 1/2	16	37	104	R1 1/2	140	82,5	54	52	5907451984505
50	1457460	2"	G2	18	47	120	R2	140	90	67	63	5907451984512

Product usage:

In the water supply systems for hot and cold water, heating systems, solar systems with glycol water solution as shut-off valves to open and close the flow.

Type:

Straight ball valves

Technical data/Operating parameters:

Max pressure:
 DN 10 - DN 25: 4 MPa
 DN 32 - DN 50: 3 MPa
 Max temperature: 180°C

Guarantee:

25-year

Used materials:

body, nut, ball, stem, adjustable stem nut: brass;
 ball and stem seal: PTFE (teflon);
 lever: carbon steel with plastic coating

Finish:

body, nut: nickel; ball: chrome