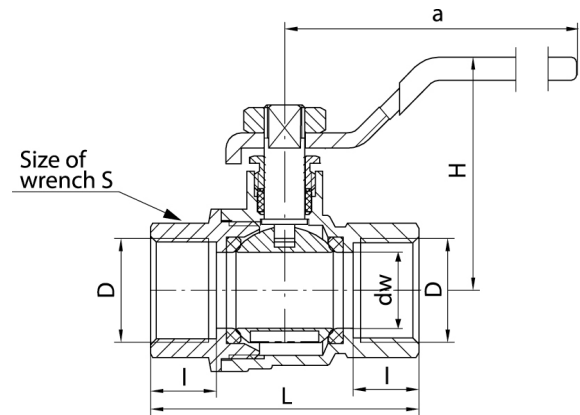


Ball valves TRYTON

Full-port ball valve with nut on stem and steel lever (female-female version)



DN	Code	Dimensions								EAN13
		Size	D	I	dw	L	a	H	S	
10	1451200	3/8"	G3/8	12	10	45	80	44	20	5907451941867
15	1452200	1/2"	G1/2	13	15	53	90	46	25	5907451932728
20	1453200	3/4"	G3/4	15	20	60	100	59	31	5907451932735
25	1454200	1"	G1	16	25	70	115	61	40	5907451932742
32	1455200	1 1/4"	G1 1/4	18	32	84	122	73	48	5907451932759
40	1456200	1 1/2"	G1 1/2	19	40	94	140	79	55	5907451932766
50	1457200	2"	G2	19	50	105	140	98	66	5907451932773

Product usage:

In the water supply systems for hot and cold water, heating systems, solar systems with glycol water solution as shut-off valves to open and close the flow.

Type:

Straight ball valves

Technical data/Operating parameters:

DN10, DN15, DN20, DN25 :

Max pressure: 4,0 MPa, max temperature: 140°C

DN32 :

Max pressure: 3,0 MPa, max temperature: 120°C

DN40, DN50 :

Max pressure: 2,5 MPa, max temperature: 120°C

Guarantee:

25-year

Used materials:

body, nut, ball, stem, adjustable stem nut: brass;

ball and stem seal: PTFE (teflon);

lever: carbon steel with plastic coating

Finish:

body, nut: nickel; ball: chrome