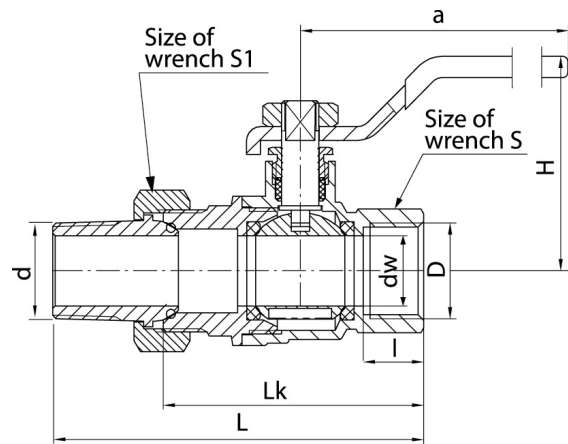


Ball valves TRYTON

Ball valve with nut on stem, with tail piece and steel lever



DN	Code	Dimensions											EAN13
		Size	D	I	dw	L	Lk	d	a	H	S	S1	
15	1452180	1/2"	G1/2	13	15	80	56	R1/2	90	46	25	30	5907451941898
20	1453180	3/4"	G3/4	15	20	88	62	R3/4	100	59	31	37	5907451941959
25	1454180	1"	G1	16	25	99	71	R1	115	61	40	47	5907451942000

Product usage:

In the water supply systems for hot and cold water, heating systems, solar systems with glycol water solution as shut-off valves to open and close the flow.

Type:

Straight ball valves

Guarantee:

25-year

Technical data/Operating parameters:

Max pressure: 4,0 MPa,
Max temperature: 140°C

Used materials:

body, nut, ball, stem, union nut, union end piece,
adjustable stem nut: brass;
ball and stem seal: PTFE (teflon);
lever: carbon steel with plastic coating

Finish:

body, nut: nickel; ball: chrome