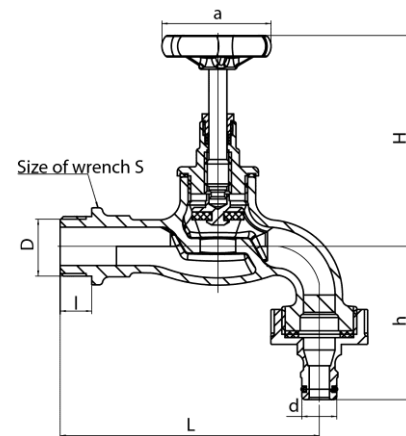


Discharge valves VIKING

Malleable cast iron discharge valve with hose coupling



DN	Code	Dimensions									EAN13
		Size	D	l	L	a	H	h	d	S	
15	1292200	1/2"	G1/2	12	90	50	74-78	60	15,5	24	5902273534648
20	1293200	3/4"	G3/4	14	115	50	85-93	68	15,5	24	5902273534679

Product usage:

For use in with cold and hot water systems

Type:

Cast iron discharge valves

Guarantee:

25-year

Technical data/Operating parameters:

Max pressure: 1,0 MPa,
Max temperature: 65°C

Used materials:

valve body: malleable cast iron;
head body, stem, slide head, adjustable stem nut:
brass;
handwheel: cast iron;
valve disc seal: rubber;
adjustable stem nut seal: EPDM rubber;
slide head seal: fiber

Finish:

body: zinc plated