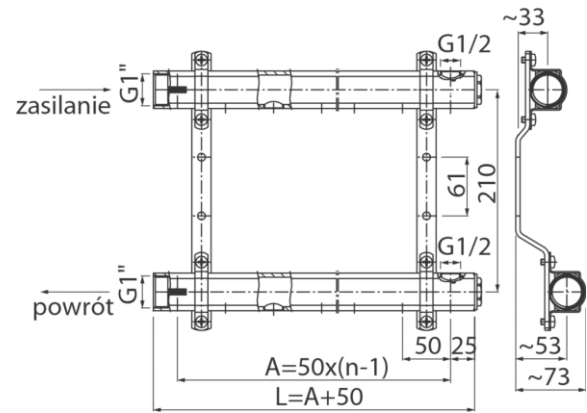


Manifold set PROFF

Manifold set K1 G1-G1/2



| Code | Dimensions | | | | EAN13 |
|---------|------------|--------|-----|-----|---------------|
| | Size | K(x)-n | A | L | |
| 6086010 | G1-G1/2 | K1-2 | 50 | 100 | 5907451948736 |
| 6086020 | G1-G1/2 | K1-3 | 100 | 150 | 5907451948743 |
| 6086030 | G1-G1/2 | K1-4 | 150 | 200 | 5907451948750 |
| 6086040 | G1-G1/2 | K1-5 | 200 | 250 | 5907451948767 |
| 6086050 | G1-G1/2 | K1-6 | 250 | 300 | 5907451948774 |
| 6086060 | G1-G1/2 | K1-7 | 300 | 350 | 5907451948781 |
| 6086070 | G1-G1/2 | K1-8 | 350 | 400 | 5907451948798 |
| 6086080 | G1-G1/2 | K1-9 | 400 | 450 | 5907451948804 |
| 6086090 | G1-G1/2 | K1-10 | 450 | 500 | 5907451948811 |
| 6086100 | G1-G1/2 | K1-11 | 500 | 550 | 5907451948828 |
| 6086110 | G1-G1/2 | K1-12 | 550 | 600 | 5907451948835 |

Product usage:

For use in piping systems of cold and hot water and radiator and space central heating

Type:

Manifold set C.O.

Technical data/Operating parameters:

Max pressure: 1,0 MPa,
Max temperature: 95°C

Guarantee:

25-year

Used materials:

- brass manifold pipe G1 x 2 pcs
- bracket set x 2 pcs
- plug with O-rings G1 x 2 pcs

Finish:

manifold pipe, plug: brass
bracket set: zinc plated