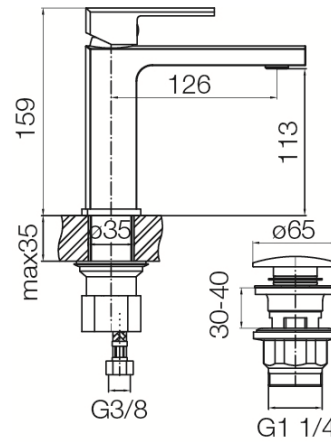


**Series V**

Washbasin mixer with pop-up drain



Code	Cartridge	Flow class	Hoses	EAN13
2419200	cartridge $\Phi 25$	Z	G3/8	5902273553588

**Product usage:**

For use in with cold and hot water systems in buildings

**Type:**

Washbasin mixers

**Technical data/Operating parameters:**Recommended working pressure: 0,1-0,5 MPa,  
Max temperature: 90°C**Guarantee:**

25-year

**Used materials:**

brass

**Finish:**

chrome