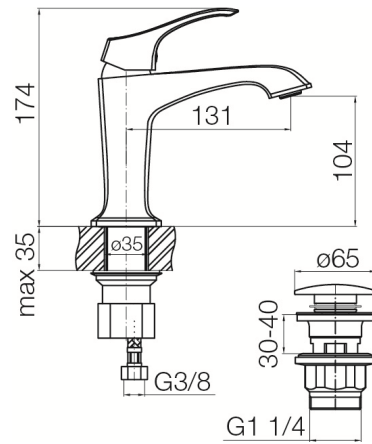


Series Cadia

Washbasin mixer with pop-up drain



Code	Cartridge	Flow class	Hoses	EAN13
2412300	cartridge Φ 35 high	Z	G3/8	5902273552000

Product usage:

For use in with cold and hot water systems in buildings

Type:

Washbasin mixers

Guarantee:

25-year

Technical data/Operating parameters:Recommended working pressure: 0,1-0,5 MPa,
Max temperature: 90°C**Used materials:**

brass

Finish:

chrome