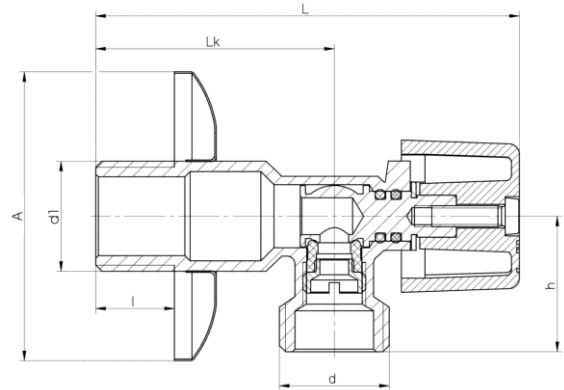


Ball valves EKO

Chrome plated angle valve



Code	Dimensions								EAN13
	Size	A	L	l	Lk	d	d1	h	
1482110	1/2"-3/8"	55	81	15	46	G3/8	G1/2	24	5907451906224
1482120	1/2"-1/2"	55	81	15	46	G1/2	G1/2	26	5907451906231
1482130	1/2"-3/4"	55	81	15	46	G3/4	G1/2	27	5907451906248

Product usage:

In cold and hot water systems and central heating installations as shut off valves

Type:

Angle valves

Guarantee:

25-year

Technical data/Operating parameters:

Max pressure: 1,0 MPa,
Max temperature: 90°C

Used materials:

body, ball with stem: brass;
rosette: stainless steel;
ball with stem and housing seal:
rubber seal EPDM 70;
metal handle

Finish:

body, handle: chrome