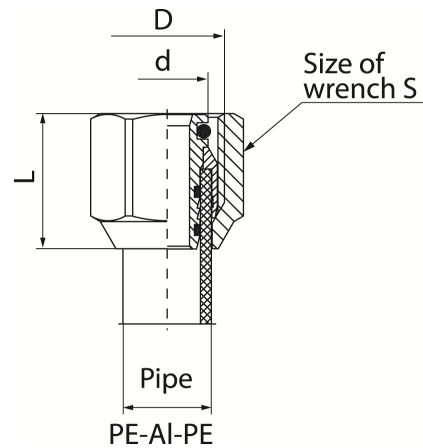


Connecting fittings V-PEX

Nickel plated straight fitting



Code	Dimensions					EAN13
	Size	D	d	L	S	
6007060	12-16 1/2"	G1/2	14	23	24	5907451935668
6008040	16-20 3/4"	G3/4	20	28	30	5907451935712

Product usage:

For Pex/Al./Pex pipes in hot and cold water supplies and central heating systems

Type:

Fittings

Technical data/Operating parameters:

Max pressure: 1,0 MPa,
Max temperature: 90°C

Guarantee:

25-year

Used materials:

nut, end piece, bushing: brass; sealing: O-ring seals

Finish:

nickel