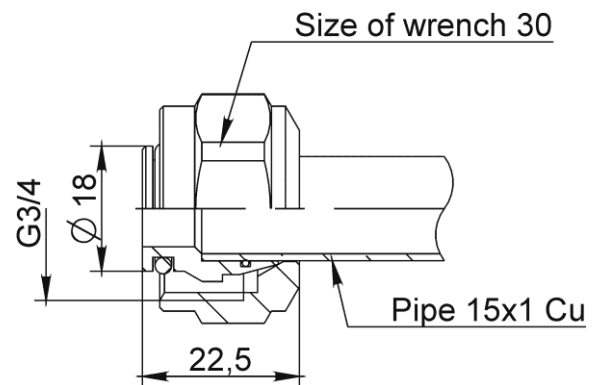


Accessories for manifolds C.O.

Nickel plated coupling 15Cu-G3/4/18



Code	Dimensions	EAN13
9003990	15Cu-G3/4	5907451901786

Product usage:

For copper pipes in hot and cold water supplies and central heating systems

Type:

Accessories and spare parts

Guarantee:

25-year

Technical data/Operating parameters:

Max pressure: 1,0 MPa,
Max temperature: 100°C

Used materials:

nut, ring: brass;
sealing: O-ring seal, rubber NBR

Finish:

nut: nickel