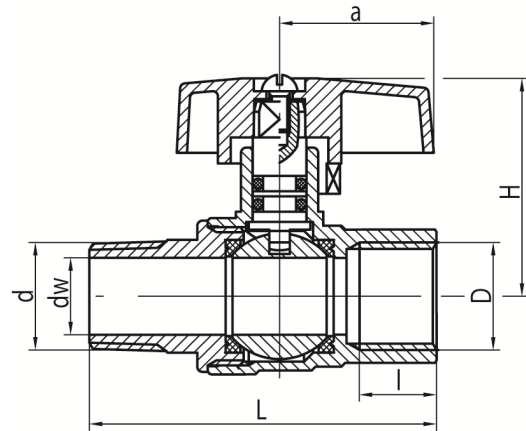


Gas ball valves ORION

Gas ball valve with aluminium butterfly handle (female-male version)



DN	Code	Dimensions								EAN13
		Size	D	I	dw	L	a	H	d	
15	3412150	1/2"	Rp1/2	15	15	67,5	30	43	R1/2	5907451902615
20	3413150	3/4"	Rp3/4	16,3	20	75,5	30	47	R3/4	5907451902622
25	3414150	1"	Rp1	19,1	25	87,5	40	57	R1	5907451902639

Product usage:

For use in gas installations in buildings

Type:

Gas ball valves

Guarantee:

25-year

Technical data/Operating parameters:

MOP 5-20, T2 (od -20°C do +60°C)

Max pressure: 2,0 Mpa

Used materials:

body, nut, ball, stem: brass;

ball seal: PTFE (teflon);

stem seal: O-ring seal, rubber NBR;

butterfly handle: aluminium alloy

Finish:

body, nut: nickel; ball: chrome