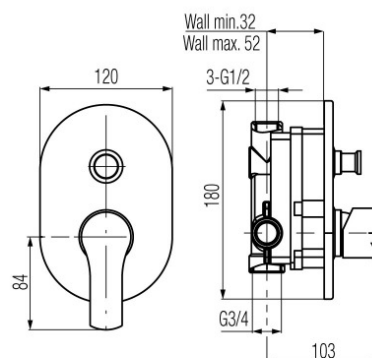


Series Dali Black

Concealed bathtub and shower mixer tap



Code	Cartridge	Flow class	Connection	EAN13
2447970	cartridge Φ 35 low	B/B	G1/2xG3/4	5902273514466

Product usage:

For use in with cold and hot water systems in buildings

Type:

Shower mixers

Technical data/Operating parameters:Recommended working pressure: 0,1-0,5 MPa,
Max temperature: 90°C**Guarantee:**

25-year

Used materials:

brass

Finish:

black/chrome