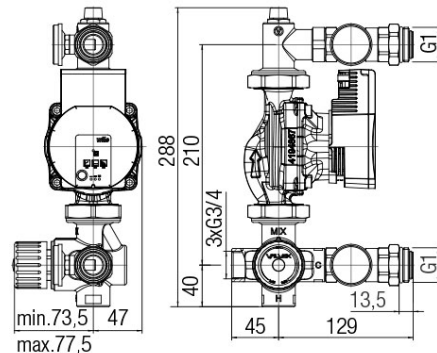


Compact Mixing Shunt PROFF PLUS

Compact Mixing Shunt



Code	mH ₂ O	EAN13
6096910	6	5902273544814

Product usage:

For use in central heating systems for controlling and maintaining constant temperature in heating manifolds

Type:

Compact Mixing Shunt

Guarantee:

2-year

Technical data/Operating parameters:

Max pressure: 0,6 MPa,
Max temperature: 70°C

Used materials:

four-way thermostatic valve, 90° elbow, reducing connectors, fittings, tee connector: brass, seals: EPDM, manual purging valve, circulating pump: Wilo.

Finish:

four-way thermostatic valve, 90° elbow, reducing connectors, fittings, tee connector: brass; manual purging valve: nickel