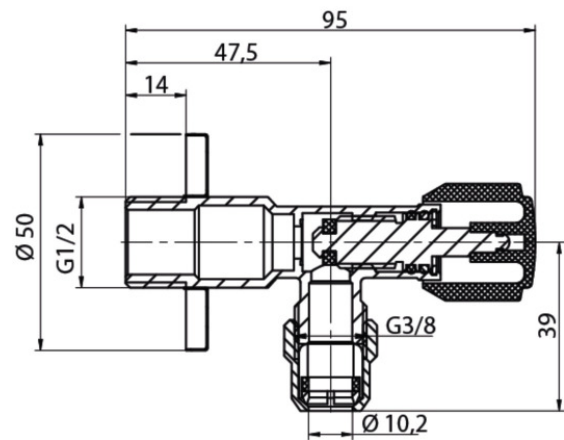


Angled valve PROFF

Chrome plated angle valve with slide head and nut



Code	Dimensions	EAN13
1484130	1/2"-3/8"-fi10	5902273515937

Product usage:

For use in with cold and hot water systems in buildings

Type:

Angle valves with slide head

Guarantee:

25-year

Technical data/Operating parameters:

Max pressure: 1,0 MPa,
Max temperature: 100°C

Used materials:

body, nut, compressio ring, head body, stem,
disc: brass;
rosette: stainless steel;
nut and disc seal: EPDM rubber;
slide head seal: O-ring seal;
handle: ABS

Finish:

body, nut, handle: chrome