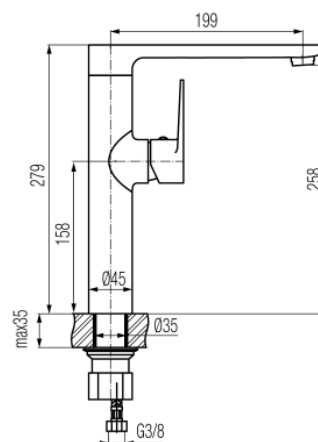


Series Dali

Standing kitchen mixer with side lever



Code	Cartridge	Flow class	Hoses	EAN13
2447250	cartridge Ø35	A	G3/8	5902273510130
2447251	cartridge Ø35	A	G1/2	5902273515364

Product usage:

For use in with cold and hot water systems in buildings

Type:

Kitchen mixer

Technical data/Operating parameters:Recommended working pressure: 0,1-0,5 MPa,
Max temperature: 90°C**Guarantee:**

25-year

Used materials:

brass

Finish:

chrome