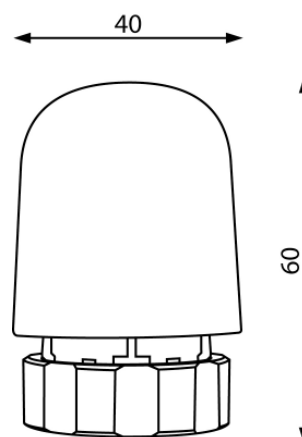


Head thermoelectric

Head thermoelectric - wired



Code	Type	Power	Connection	EAN13
6098240	NC	230AC 50Hz	M30 x 1,5	5907451966891

Product usage:

Type:

Head thermoelectric

Guarantee:

25-year

Technical data/Operating parameters:

Used materials:

Finish:

-