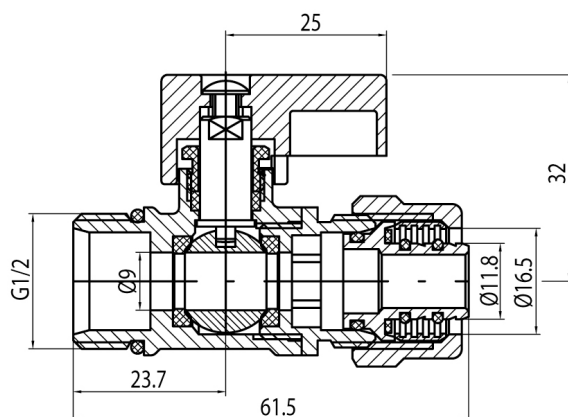


Accessories for manifolds C.O.

Ball valve MINI with O-ring and Eurocone conetionns 16x2-G1/2, for cold water



Code	Dimensions	EAN13
6097350	G1/2	5907451969298

Product usage:

In cold and hot water systems and central heating systems as shut off valves

Type:

Accessories and spare parts

Guarantee:

25-year

Technical data/Operating parameters:

Max pressure: 1,0 MPa,

Max temperature: 65°C

Used materials:

body, nut, ball, stem, end piece, bushing: brass;

ball seal: PTFE (teflon);

stem seal: O-ring seal, rubber NBR;

lever: aluminium alloy

Finish:

body, nut: nickel; ball: chrome