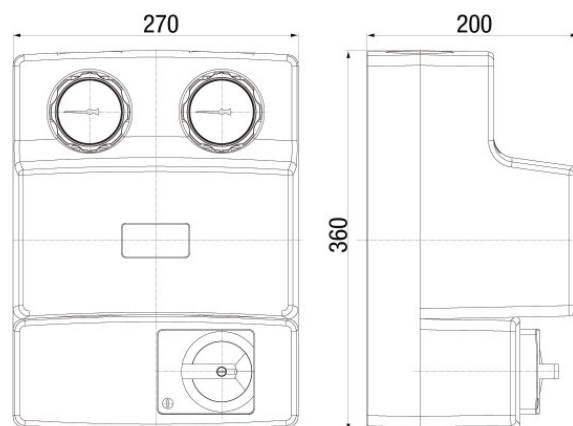


PROFFmix pump group

Pump group



Code	EAN13
6096870	5902273506164

Product usage:

For use in central heating systems for controlling and maintaining constant temperature in heating manifolds

Type:

Pump group

Technical data/Operating parameters:

Max temperature: 95°C

Max pressure: 0,6 Mpa

The scale thermometers: 0-160°C

Factors heating: water, aqueous solutions of glycol (max. 50% glycol)

Flow factor Kv = 7m³/h

Guarantee:

2-year

Used materials:

valve bodies, fittings, piece: brass;

pipe G6/4: galvanized steel;

thermometer: steel/aluminum;

mounting bracket: galvanized steel;

seals: EPDM;

seals ball: PTFE;

insulation: PPE

Finish:

valve bodies, fittings, piece: brass; pump body: cast iron; pipe G6/4: galvanized steel; thermometer: steel/aluminum; mounting bracket: galvanized steel;