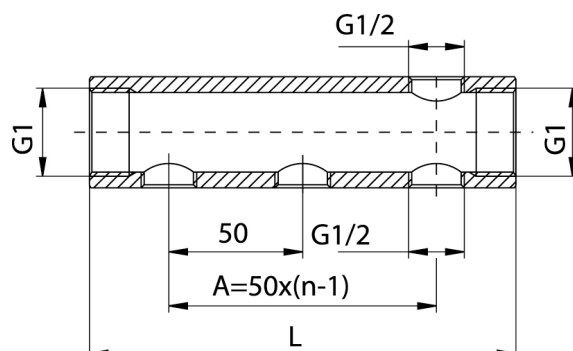


## Manifold pipe PROFF

### Manifold pipe



Code	Dimensions				EAN13
	Size	n	A	L	
6087500	G1-G1/2	2	50	100	5907451952146
6087510	G1-G1/2	3	100	150	5907451952153
6087520	G1-G1/2	4	150	200	5907451952160
6087530	G1-G1/2	5	200	250	5907451952177
6087540	G1-G1/2	6	250	300	5907451952184
6087550	G1-G1/2	7	300	350	5907451952191
6087560	G1-G1/2	8	350	400	5907451952207
6087570	G1-G1/2	9	400	450	5907451952214
6087580	G1-G1/2	10	450	500	5907451952221
6087590	G1-G1/2	11	500	550	5907451952238
6087600	G1-G1/2	12	550	600	5907451952245

#### Product usage:

For use in piping systems of cold and hot water and radiator and space central heating

#### Type:

Manifold set C.O.

#### Technical data/Operating parameters:

Max pressure: 1,0 MPa,  
Max temperature: 95°C

#### Guarantee:

25-year

#### Used materials:

brass

#### Finish:

brass