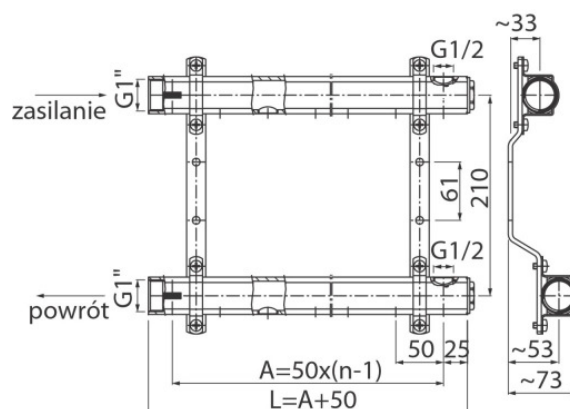


## Manifold set PROFF

### Manifold set PROFF K1 G1-G1/2



Code	Dimensions				EAN13
	Size	K(x)-n	A	L	
6086010	G1-G1/2	K1-2	50	100	5907451948736
6086020	G1-G1/2	K1-3	100	150	5907451948743
6086030	G1-G1/2	K1-4	150	200	5907451948750
6086040	G1-G1/2	K1-5	200	250	5907451948767
6086050	G1-G1/2	K1-6	250	300	5907451948774
6086060	G1-G1/2	K1-7	300	350	5907451948781
6086070	G1-G1/2	K1-8	350	400	5907451948798
6086080	G1-G1/2	K1-9	400	450	5907451948804
6086090	G1-G1/2	K1-10	450	500	5907451948811
6086100	G1-G1/2	K1-11	500	550	5907451948828
6086110	G1-G1/2	K1-12	550	600	5907451948835

#### Product usage:

For use in piping systems of cold and hot water and radiator and space central heating

#### Type:

Manifold set C.O.

#### Technical data/Operating parameters:

Max pressure: 1,0 MPa,  
Max temperature: 95°C

#### Guarantee:

25-year

#### Used materials:

- brass manifold pipe G1 x 2 pcs
- bracket set x 2 pcs
- plug with O-rings G1 x 2 pcs

#### Finish:

manifold pipe, plug: brass  
bracket set: zinc plated