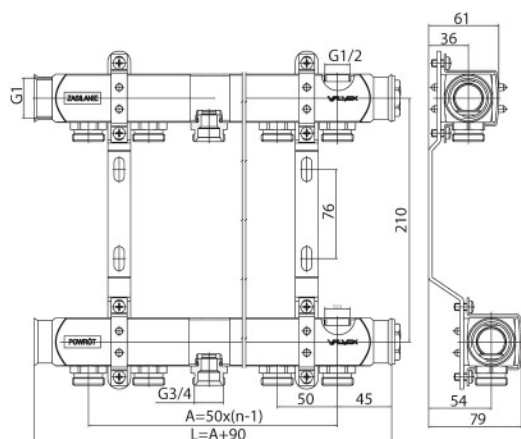
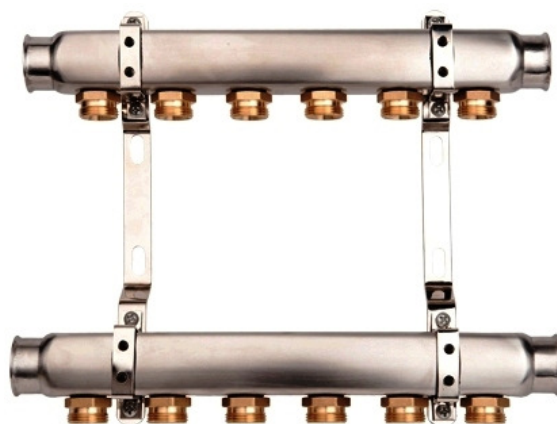


## Manifold set BASE INOX

### Manifold set BASE INOX K2 G1-G1/2



Code	Dimensions				EAN13
	Size	K(x)-n	A	L	
6085150	G1-G3/4	K2-2	50	140	5907451967775
6085160	G1-G3/4	K2-3	100	190	5907451967782
6085170	G1-G3/4	K2-4	150	240	5907451967799
6085180	G1-G3/4	K2-5	200	290	5907451967805
6085190	G1-G3/4	K2-6	250	340	5907451967812
6085200	G1-G3/4	K2-7	300	390	5907451967829
6085210	G1-G3/4	K2-8	350	440	5907451967836
6085220	G1-G3/4	K2-9	400	490	5907451967843
6085230	G1-G3/4	K2-10	450	540	5907451967850
6085240	G1-G3/4	K2-11	500	590	5907451967867
6085250	G1-G3/4	K2-12	550	640	5907451967874

#### Product usage:

For use in piping systems of cold and hot water and radiator and space central heating

#### Type:

Manifold set C.O.

#### Technical data/Operating parameters:

Max pressure: 1,0 MPa,

Max temperature: 95°C

#### Guarantee:

25-year

#### Used materials:

- steel manifold pipe G1 x 2 pcs
- bracket set x 2 pcs
- plug with O-rings G1 x 2 pcs
- connection rings with O-ring G1/2 x 3/4 (4-24 pcs)

#### Finish:

manifold pipe: stainless steel; plug, connection ring: brass; bracket set: zinc plated